



Bomb blanket and ballistic container

D.B.P.a.

Patent pending

Art.- No.: 170141

Art.- No.: 170161

Technical Documentation

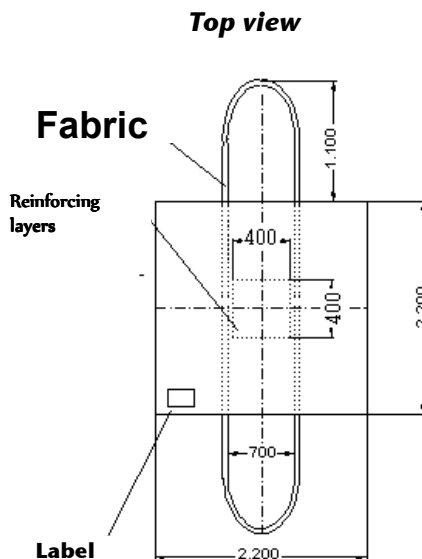
The equipment set consists of the bomb blanket 170141 and the ballistic container 170161.

The bomb blanket is manufactured from multiple layers of TWARON®. In the centre the layers are doubled. A 400 mm x 400 mm TWARON®/rubber laminate sheet gives added protection against penetration caused by the blast. A label clearly indicates the way that the blanket should be placed.

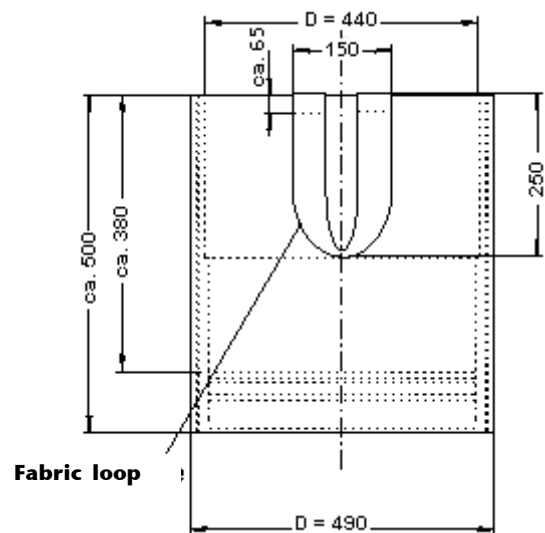
This ballistic container is manufactured from multiple layers of wrapped TWARON®-fabric. The outer layer is made from rubberised fabric of the same material. The fabric is wound both horizontally and vertically before being bonded by a special adhesive which gives a high tensile strength to the whole structure and has a specially reinforced bottom. Carrier loops allow transport of the container by means of a hook and line system or a remote controlled vehicle (details on request).

Whilst stationary and during transport the container will be covered with the bomb blanket 170141.

The bomb blanket can be lifted from the container by use of the fabric loops on either side, by means of a hook and line, or remote control vehicle as above.



Bomb blanket
Art.-No.: 170141



Ballistic container
Art.-No.: 170161



Blanket with fabric loops for lifting



Ballistic container with fabric loops for transport

(Made in Germany)

Specification subject to change without notice.

O:\kataloge\english 2011\05 Anti-fragment devices\170141-1.docx

ELP GmbH
European Logistic Partners

Tel.: 0049 (0)202 69894 0

FAX : 0049 (0)202 69894 10

Nutzenberger Str. 359

D 42115 Wuppertal

GERMANY

e-mail: elp@elp-gmbh.de / <http://www.elp-gmbh.de>

